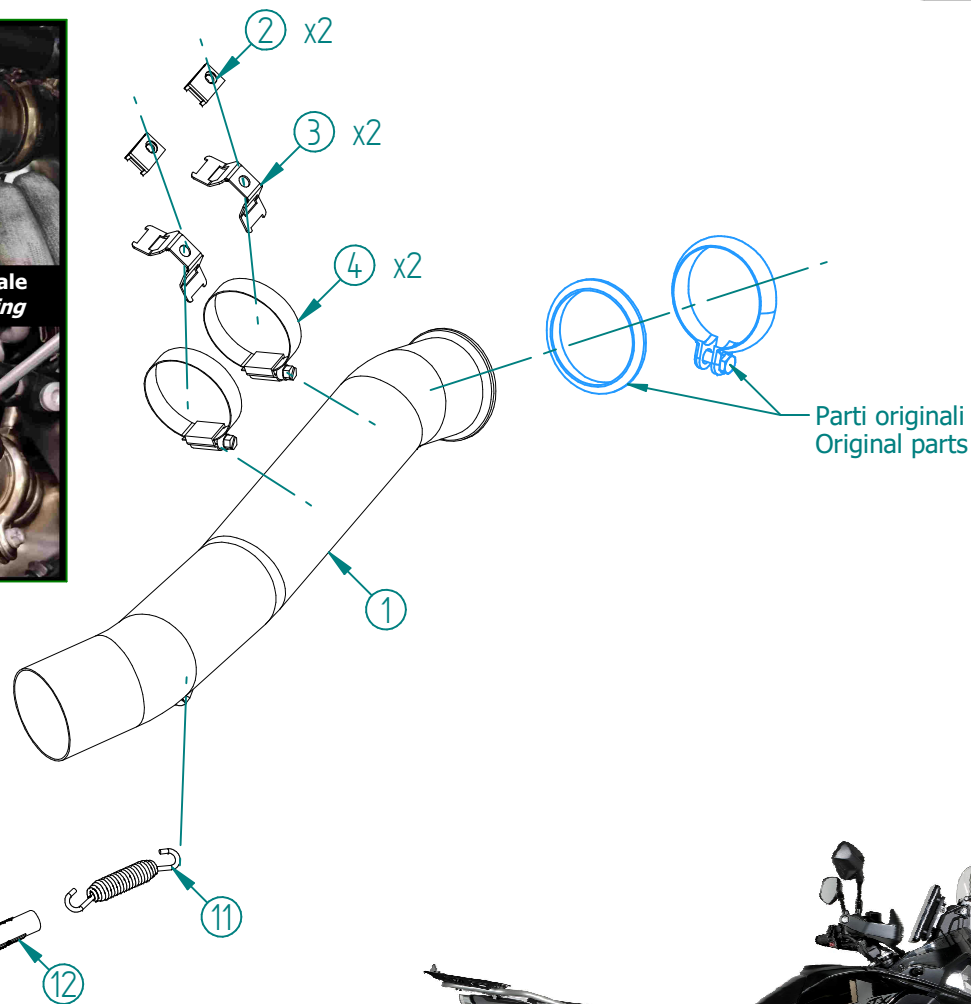
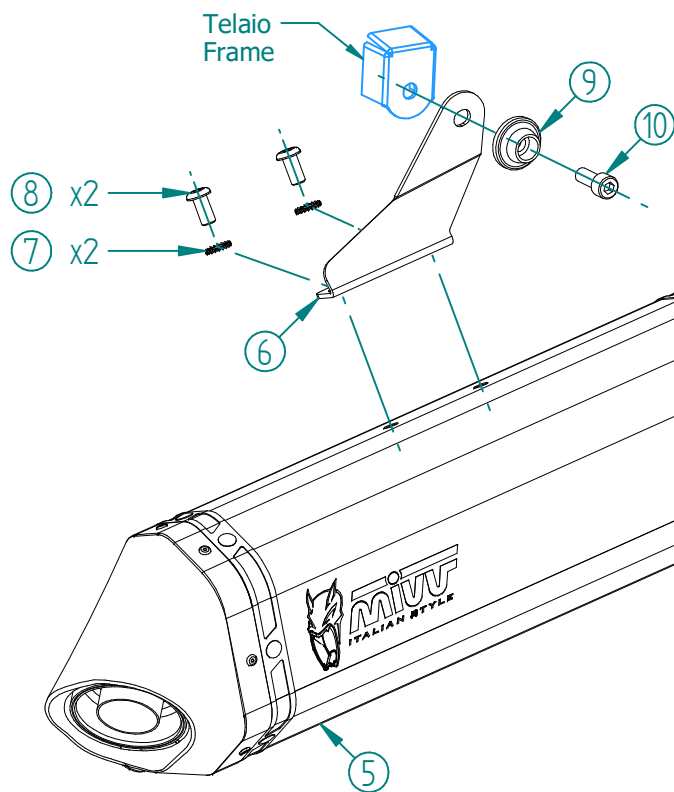


#	DESCRIPTION	PART NUMBER	QTY
1	Tubo di raccordo / Link pipe	9773CF009SE	1
2	Dado rapido M5 / M5 cage nut	50.73.674.1	2
3	Staffa / Bracket	50.73.1122.0	2
4	Fascetta / Clamp	50.73.795.1	2
5	Silenziatore / Muffler dB Killer 50.DK.167.0	Speed Edge 350	1
6	Staffa / Bracket	50.55.1595.0	1
7	Rondella di sicurezza / Safety washer	50.73.604.1	2
8	Vite M8 x 16 / Screw M8 x 16	50.73.098.1	2
9	Rondella in alluminio nera / Black aluminium washer	50.73.221.1	1
10	Vite M8x20 / Screw M8x20	50.73.894.1	1
11	Molla media / Mid-size spring	50.73.359.1	1
12	Tubo in gomma per molla / Rubber pipe for spring	50.73.210.1	1



### OPTIONAL PARTS

**00.73.ACC.070**  
Carter in carbonio / Carbon fiber heatshield

**KT.020.C1**  
Tubo no kat / No kat pipe



APPLICAZIONI / APPLICATIONS		
CODICE / CODE	SILENZIATORE / MUFFLER	TUBO / PIPE
CF.009.LRB	STEEL BLACK	INOX / ST. STEEL