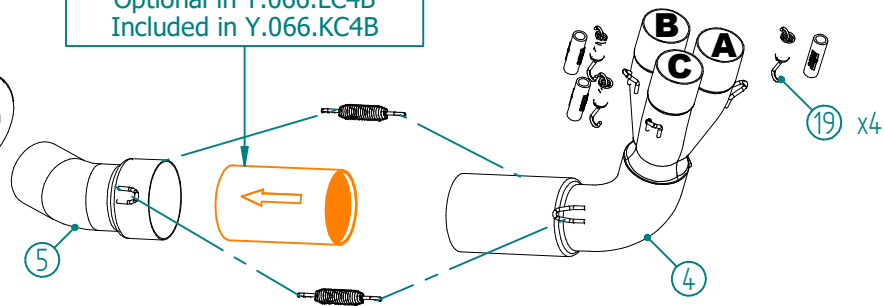
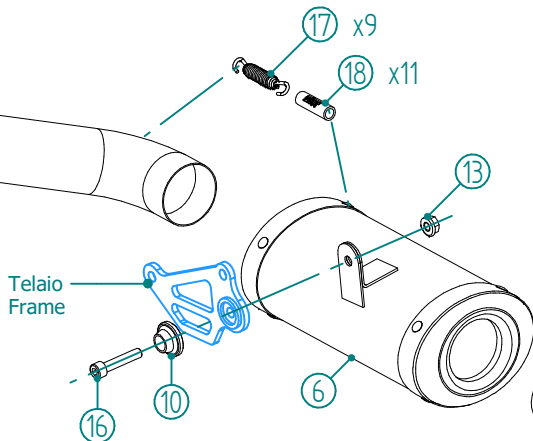


Mandatory Catalytic Converter
Cod. ACC.077.A1

Optional in Y.066.LC4B
Included in Y.066.KC4B



#	DESCRIPTION	PART NUMBER	QTY
1	Collettore #1 / Down pipe #1	9773Y066S2A	1
2	Collettore #2 / Down pipe #2	9773Y066S2B	1
3	Collettore #3 / Down pipe #3	9773Y066S2C	1
4	Tubo di raccordo 3-1 / Link pipe 3-1	9773Y066S2D	1
5	Tubo di raccordo / Link pipe	9773Y066S2EA	1
6	Pre-silenziatore / Pre-silencer	9773Y066S2EB	1
7	Tubo di raccordo / Link pipe	9773Y066S2EC	1
8	Silenziatore / Muffler - dB killer 50.DK.164.0	X-M1 Ø55	1
9	Vite M8x20 / Screw M8x20	50.73.894.1	1
10	Rondella in alluminio nera / Black aluminium washer	50.73.221.1	2
11	Staffa / Bracket	50.SS.1279.0	1
12	Staffa / Bracket	50.SS.1281.0	1
13	Dado M8 flangiato / Flanged nut M8	50.73.393.1	2
14	Vite M8 x 16 / Screw M8 x 16	50.73.098.1	2
15	Rondella di sicurezza / Safety washer	50.73.604.1	2
16	Vite M8x40 / Screw M8x40	50.73.075.1	1
17	Molla media / Mid-size spring	50.73.359.1	9
18	Tubo in gomma per molla / Rubber pipe for spring	50.73.210.1	11
19	Molla corta / Short Spring	50.73.123.1	4
20	Boccola interna in acciaio / Internal steel bush	50.73.337.1	3
21	Boccola esterna in acciaio / External steel bush	50.73.338.1	3
22	Flangia in alluminio / Aluminium flange	50.73.339.1	3



APPLICAZIONI / APPLICATIONS			
CODICE / CODE	NOTE	SILENZIATORE / MUFFLER	TUBO / PIPE
Y.066.LC4B	CATALYTIC CONVERTER NOT INCLUDED	STEEL BLACK	INOX / ST. STEEL
Y.066.KC4B	CATALYTIC CONVERTER INCLUDED		