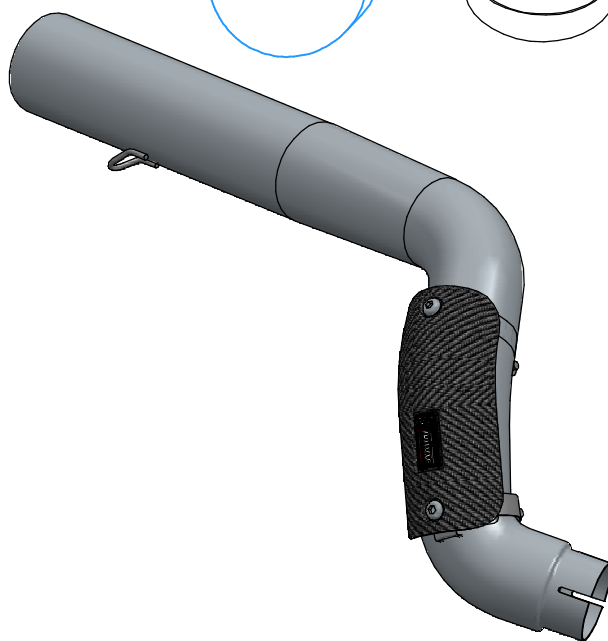
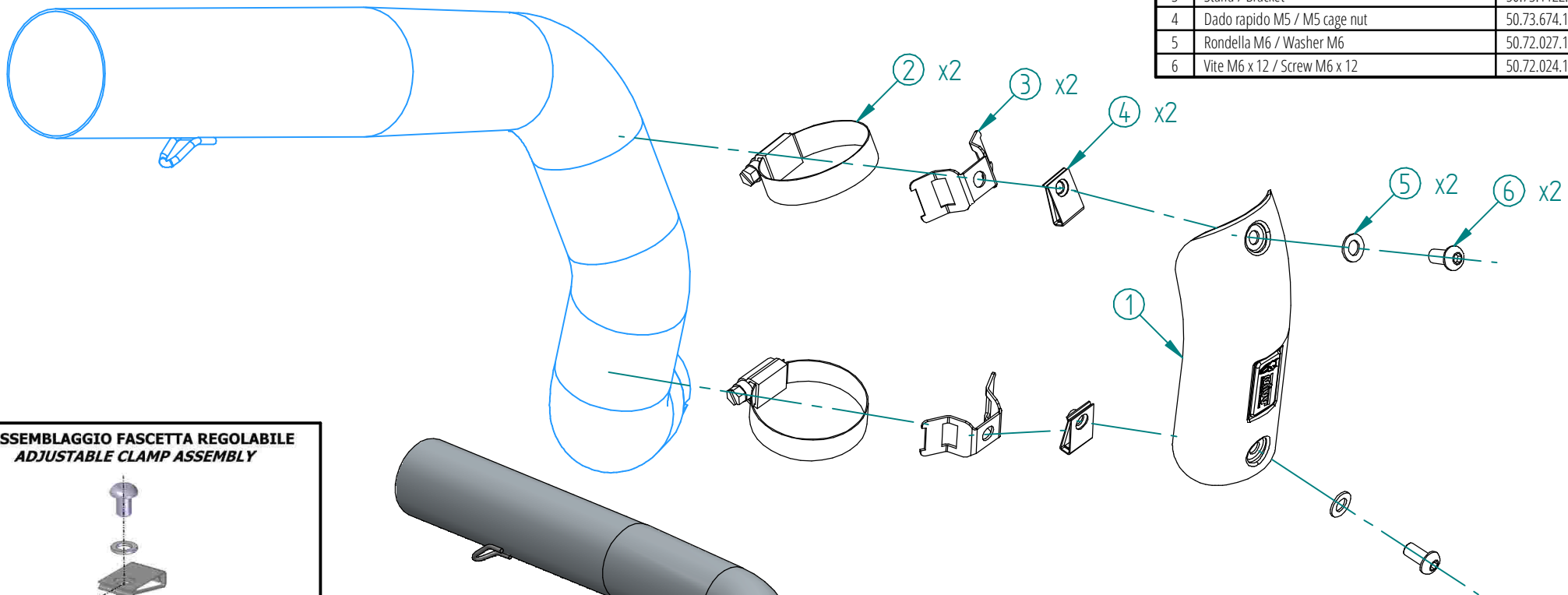
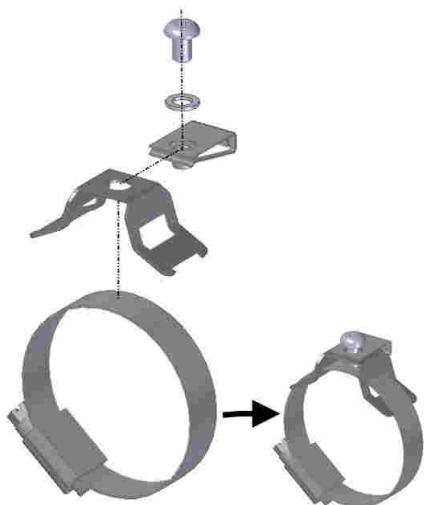


#	DESCRIPTION	PART NUMBER	QTY
1	Cover in carbonio / Carbon cover	50.CR.044.0	1
2	Fascetta / Clamp	50.73.333.1	2
3	Staffa / Bracket	50.73.1122.0	2
4	Dado rapido M5 / M5 cage nut	50.73.674.1	2
5	Rondella M6 / Washer M6	50.72.027.1	2
6	Vite M6 x 12 / Screw M6 x 12	50.72.024.1	2



**ASSEMBLAGGIO FASCETTA REGOLABILE
ADJUSTABLE CLAMP ASSEMBLY**



**APRIRE LA FASCETTA PER INSERIRE
LA STAFFA REGOLABILE**
OPEN THE CLAMP TO INSERT
THE ADJUSTABLE BRACKET