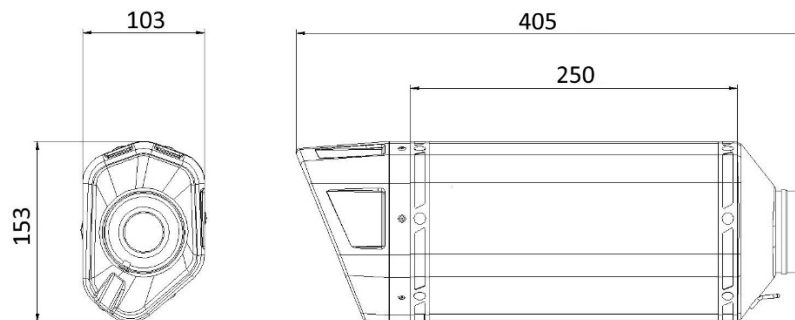


Technical specifications

SR-1 TITANIUM

Characteristics

Body material	Titanium
Front end cap material	Stainless steel
Rear end cap material	Carbon
Material of the inside of the silencer	Stainless steel
Link pipe material	Titanium
Type of attachment to the frame	Stainless steel screwed bracket
Total body length (mm)	250 mm
Internal diameter of the silencer coupling (mm)	Ø 60
Presence of dB-Killer	Yes
Silencer weight	1.85 kg



MIVV S.p.A.
 Zona Industriale
 64027 Sant'Omero (TE)
 Italy

CUSTOMER SERVICE
 ☎ Italy: 0861 8120237
 Worldwide: +39 0861 8120239
 ✉ customerservice@mivv.it

FOLLOW US:
 📘 Facebook
 📷 Instagram
 📺 Youtube