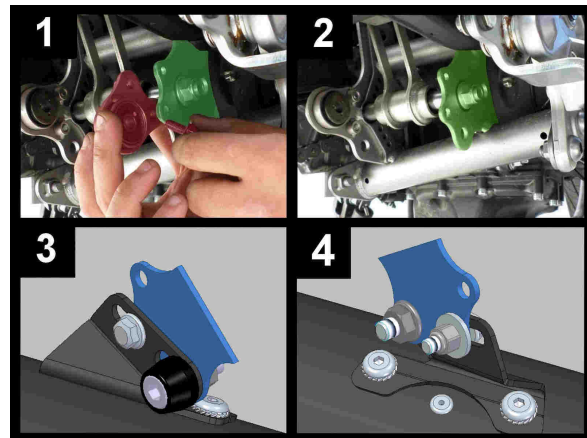


- Rimuovere il supporto del terminale originale.  
- Remove the support of the original exhaust.

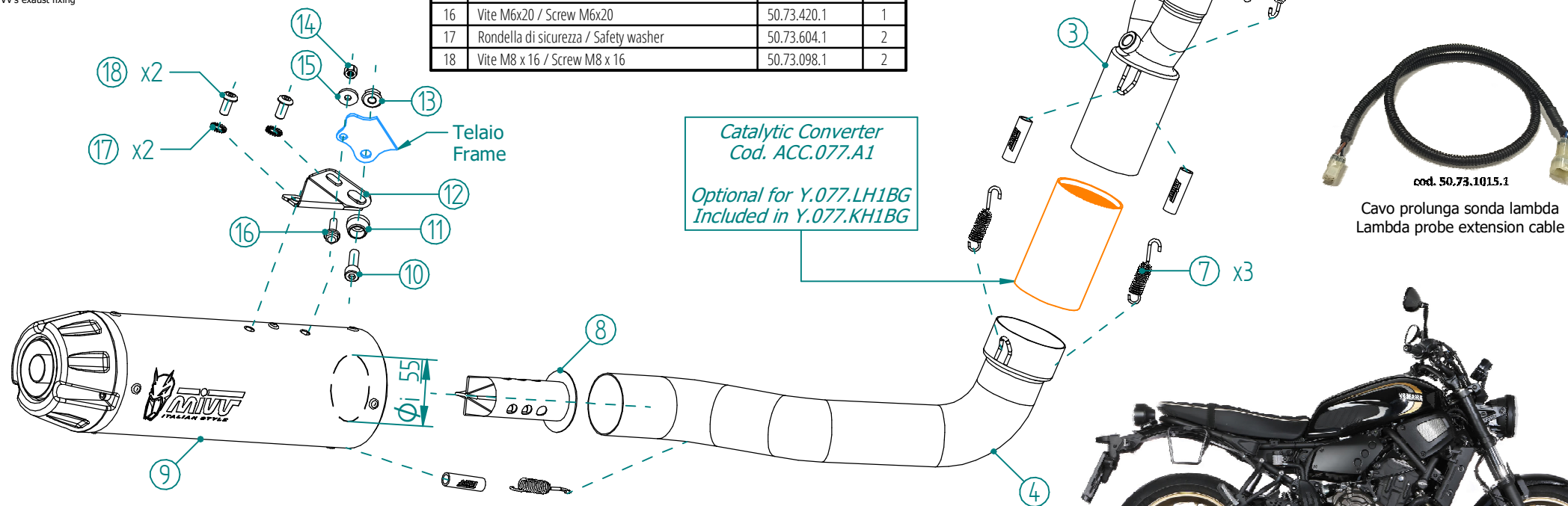
- Parte di telaio su cui fissare la staffetta MIVV.  
- Frame part where MIVV's bracket shall be fixed



- Fissaggio terminale MIVV  
- MIVV's exhaust fixing

#	DESCRIPTION	PART NUMBER	QTY
1	Collettore #1 / Down pipe #1	9773Y071SRXA	1
2	Collettore #2 / Down pipe #2	9773Y071SRXB	1
3	Tubo di raccordo 2-1 / Link pipe 2-1	9773Y071SRXC	1
4	Tubo di raccordo / Link pipe	9773Y071SRXD	1
5	Tubo in gomma per molla / Rubber pipe for spring	50.73.210.1	5
6	Molla media / Mid-size spring	50.73.359.1	2
7	Molla corta / Short Spring	50.73.123.1	3
8	dB Killer	50.DK.081.0	1
9	Silenziatore / Muffler - db killer 50.DK.195.0	HR-1 280 Ø55	1
10	Vite M8x25 / Screw M8x25	50.73.064.1	1
11	Rondella in alluminio / Aluminium washer	50.73.857.1	1
12	Staffa / Bracket	50.SS.1484.0	1
13	Dado M8 flangiato / Flanged nut M8	50.73.393.1	1
14	Dado M6 autobloccante / M6 locknut	50.73.112.1	1
15	Rondella M6 / Washer M6	50.73.187.1	1
16	Vite M6x20 / Screw M6x20	50.73.420.1	1
17	Rondella di sicurezza / Safety washer	50.73.604.1	2
18	Vite M8 x 16 / Screw M8 x 16	50.73.098.1	2

Parti originali  
Original parts



*Catalytic Converter  
Cod. ACC.077.A1*

*Optional for Y.077.LH1BG  
Included in Y.077.KH1BG*

cod. 50.73.1015.1  
Cavo prolunga sonda lambda  
Lambda probe extension cable



APPLICAZIONI / APPLICATIONS

CODICE / CODE	SILENZIATORE / MUFFLER	TUBO / PIPE	NOTE
Y.077.LH1BG	INOX NERO (COPPA CARBONIO) / STEEL BLACK (CARBON CAP)	INOX / ST. STEEL	CATALYTIC CONVERTER NOT INCLUDED
Y.077.KH1BG			CATALYTIC CONVERTER INCLUDED