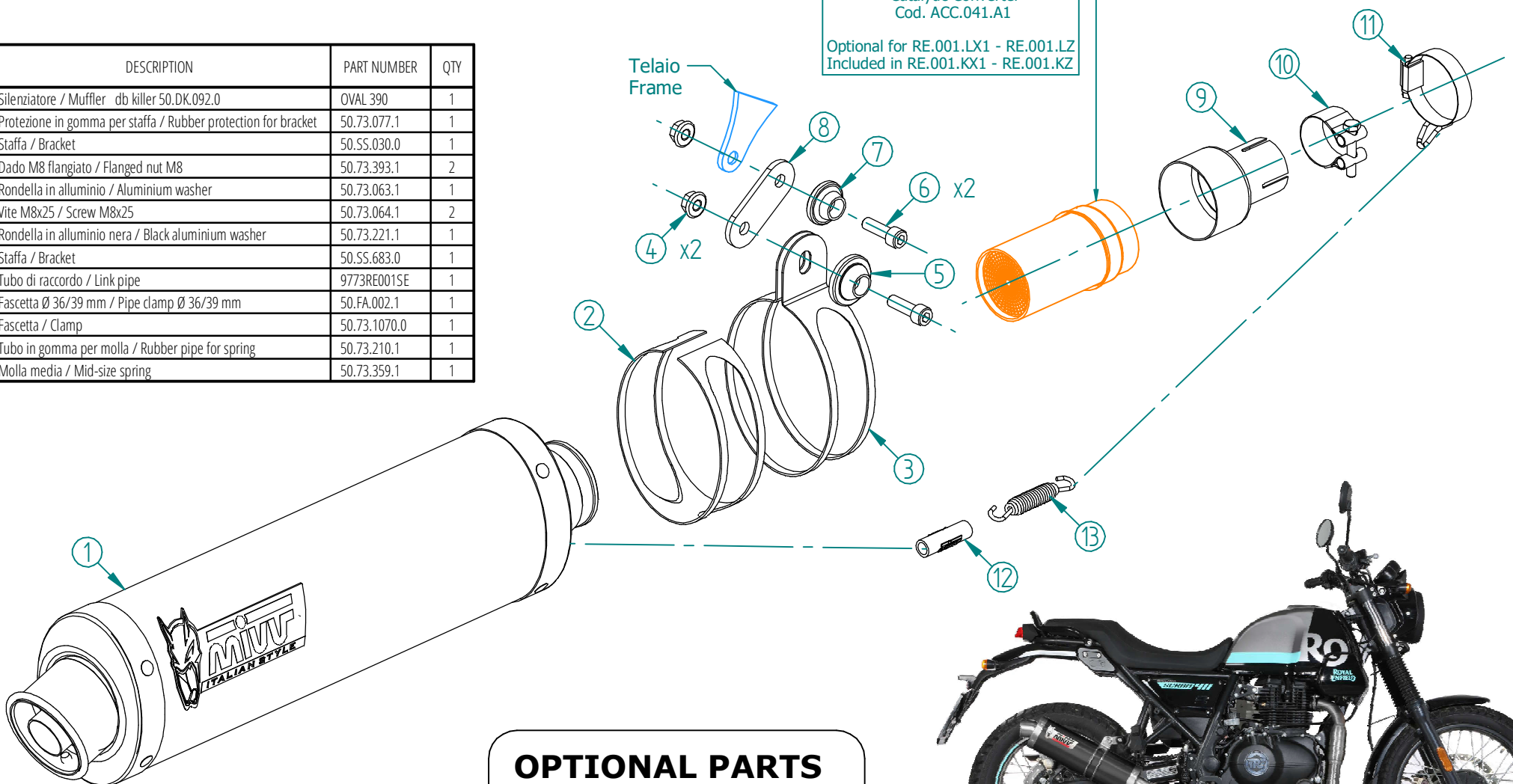


#	DESCRIPTION	PART NUMBER	QTY
1	Silenziatore / Muffler db killer 50.DK.092.0	OVAL 390	1
2	Protezione in gomma per staffa / Rubber protection for bracket	50.73.077.1	1
3	Staffa / Bracket	50.55.030.0	1
4	Dado M8 flangiato / Flanged nut M8	50.73.393.1	2
5	Rondella in alluminio / Aluminium washer	50.73.063.1	1
6	Vite M8x25 / Screw M8x25	50.73.064.1	2
7	Rondella in alluminio nera / Black aluminium washer	50.73.221.1	1
8	Staffa / Bracket	50.55.683.0	1
9	Tubo di raccordo / Link pipe	9773RE001SE	1
10	Fascetta Ø 36/39 mm / Pipe clamp Ø 36/39 mm	50.FA.002.1	1
11	Fascetta / Clamp	50.73.1070.0	1
12	Tubo in gomma per molla / Rubber pipe for spring	50.73.210.1	1
13	Molla media / Mid-size spring	50.73.359.1	1

Catalytic Converter
Cod. ACC.041.A1
Optional for RE.001.LX1 - RE.001.LZ
Included in RE.001.KX1 - RE.001.KZ

Telaio Frame



OPTIONAL PARTS



Tubo no kat - No kat pipe
RE.001.C1
Compatibile con silenziatori MIVV e scarico originale.
Compatible with both MIVV and original silencer.



APPLICAZIONI / APPLICATIONS				
CODICE / CODE	SILENZIATORE / MUFFLER	TUBO / PIPE	FASCETTA / CLAMP	NOTE
RE.001.LX1	INOX / ST. STEEL	INOX / ST. STEEL	INOX / ST. STEEL	CATALYTIC CONVERTER NOT INCLUDED
RE.001.LZ	INOX NERO / STEEL BLACK			
RE.001.KX1	INOX / ST. STEEL	INOX / ST. STEEL	INOX / ST. STEEL	CATALYTIC CONVERTER INCLUDED
RE.001.KZ	INOX NERO / STEEL BLACK			