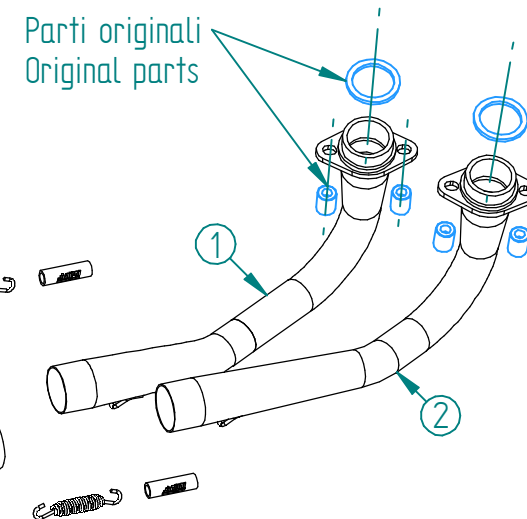


#	DESCRIPTION	PART NUMBER	QTY
1	Collettore #1 / Down pipe #1	9773Y061SEA	1
2	Collettore #2 / Down pipe #2	9773Y061SEB	1
3	Tubo di raccordo / Link pipe	9773Y061SEC	1
4	Tubo di raccordo / Link pipe	9773Y073SED	1
5	Silenziatore / Muffler db killer 50.DK.184.0	SR-1 350	1
6	Dado M8 flangiato / Flanged nut M8	50.73.393.1	1
7	Rondella M8 / Washer M8	50.73.419.1	1
8	Staffa / Bracket	50.SS.1260.0	1
9	Rondella in alluminio nera / Black aluminium washer	50.73.221.1	1
10	Vite M8x25 / Screw M8x25	50.73.064.1	1
11	Vite M8 x 16 / Screw M8 x 16	50.73.098.1	2
12	Rondella di sicurezza / Safety washer	50.73.604.1	2
13	Molla media / Mid-size spring	50.73.359.1	4
14	Tubo in gomma per molla / Rubber pipe for spring	50.73.210.1	4

Catalytic Converter  
Cod. ACC.045.A1

Optional for Y.073.LR1TB/BN - Y.073.LR1XB/BN  
Included in Y.073.KR1TB/BN - Y.073.KR1XB/BN



APPLICAZIONI / APPLICATIONS			
CODICE / CODE	TUBO / PIPE	SILENZIATORE / MUFFLER	NOTE
Y.073.LR1TB	INOX / ST. STEEL	TITANIO NERO (COPPA CARBONIO) / BLACK TITANIUM (CARBON CAP)	
Y.073.LR1XB		INOX NERO (COPPA CARBONIO) / STEEL BLACK (CARBON CAP)	
Y.073.LR1TBN	STEEL BLACK	TITANIO NERO (COPPA CARBONIO) / BLACK TITANIUM (CARBON CAP)	
Y.073.LR1XBN		INOX NERO (COPPA CARBONIO) / STEEL BLACK (CARBON CAP)	
Y.073.KR1TB	INOX / ST. STEEL	TITANIO NERO (COPPA CARBONIO) / BLACK TITANIUM (CARBON CAP)	
Y.073.KR1XB		INOX NERO (COPPA CARBONIO) / STEEL BLACK (CARBON CAP)	
Y.073.KR1TBN	STEEL BLACK	TITANIO NERO (COPPA CARBONIO) / BLACK TITANIUM (CARBON CAP)	
Y.073.KR1XBN		INOX NERO (COPPA CARBONIO) / STEEL BLACK (CARBON CAP)	

### OPTIONAL PARTS



Carter in carbonio - Carbon cover  
00.73.ACC.070.0