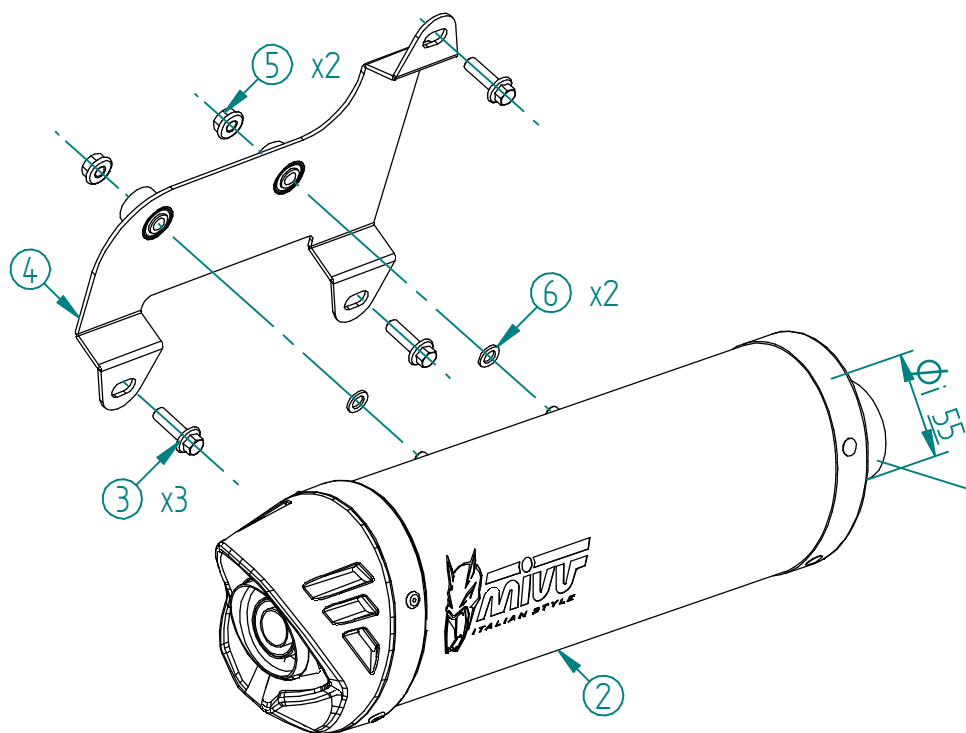
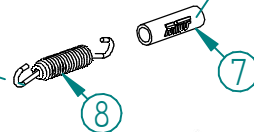
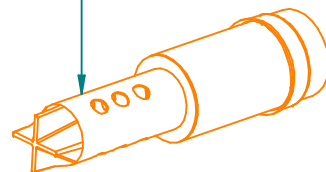


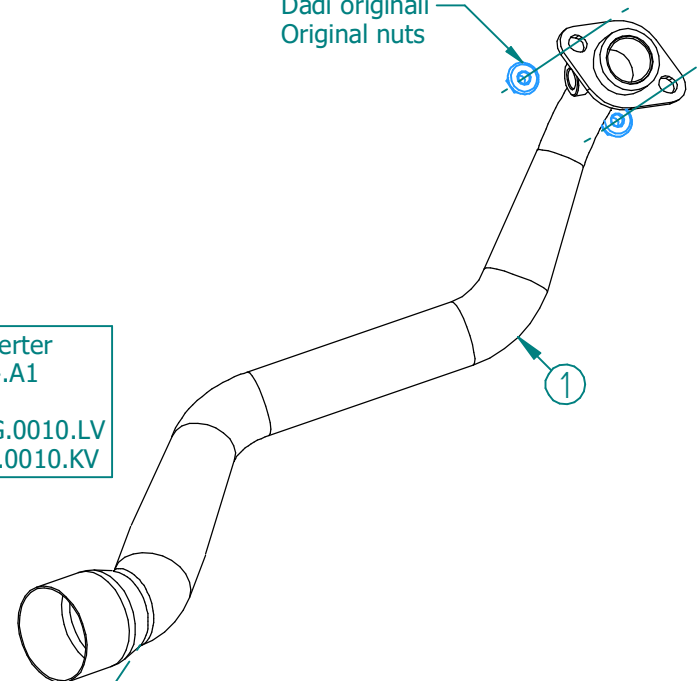
#	DESCRIPTION	PART NUMBER	QTY
1	Tubo di raccordo / Link pipe	97MVPG0010SV	1
2	Silenziatore / Muffler - dB killer 50.DK.156.0	MOVER L.360 Ø155	1
3	Vite M8x25 / Screw M8x25	50.73.599.1	3
4	Staffa / Bracket	50.55.1465.0	1
5	Dado M8 flangiato / Flanged nut M8	50.73.393.1	2
6	Rondella M8 / Washer M8	50.73.270.1	2
7	Tubo in gomma per molla / Rubber pipe for spring	50.73.210.1	1
8	Molla media / Mid-size spring	50.73.359.1	1



Catalytic Converter
Cod. ACC.044.A1
Optional for MV.PG.0010.LV
Included in MV.PG.0010.KV



Dadi originali
Original nuts



APPLICAZIONI / APPLICATIONS

Codice / Code	Silenziatore / Muffler	Tubo / Pipe	Note
MV.PG.0010.LV	BLACK	INOX / ST. STEEL	CATALYTIC CONVERTER NOT INCLUDED
MV.PG.0010.KV			CATALYTIC CONVERTER INCLUDED