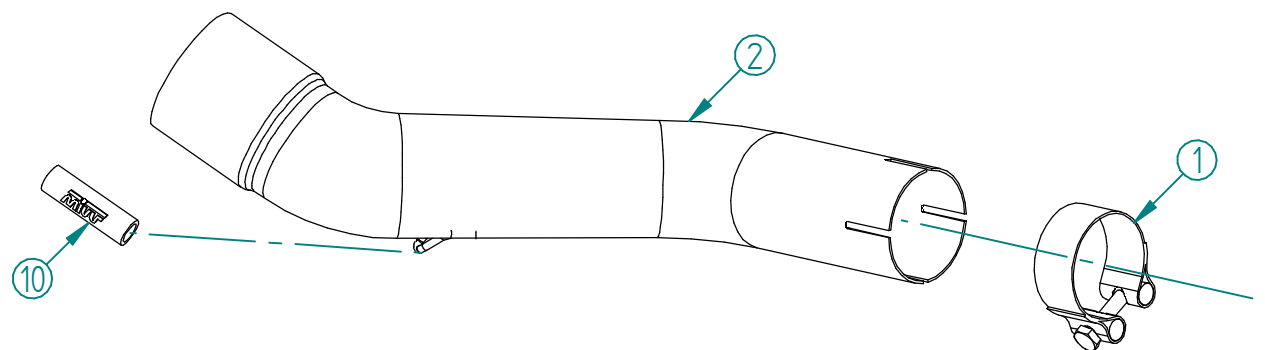


#	DESCRIPTION	PART NUMBER	QTY
1	Fascetta Ø 44/47 mm / Pipe clamp Ø 44/47 mm	50.FA.006.1	1
2	Tubo di raccordo / Link pipe	9773D051SC4X	1
3	Silenziatore / Muffler db killer 50.DK.164.0	X-M1 Ø55	1
4	Staffa / Bracket	50.SS.1408.0	1
5	Rondella M6 / Washer M6	50.72.027.1	2
6	Vite M6x16 / Screw M6x16	50.73.087.1	2
7	Vite M8 x 16 / Screw M8 x 16	50.73.098.1	2
8	Rondella di sicurezza / Safety washer	50.73.604.1	2
9	Molla corta / Short Spring	50.73.123.1	1
10	Tubo in gomma per molla / Rubber pipe for spring	50.73.210.1	1



APPLICAZIONI / APPLICATIONS		
CODICE / CODE	SILENZIATORE / MUFFLER	TUBO / PIPE
D.051.SC4B	STEEL BLACK	INOX / ST. STEEL