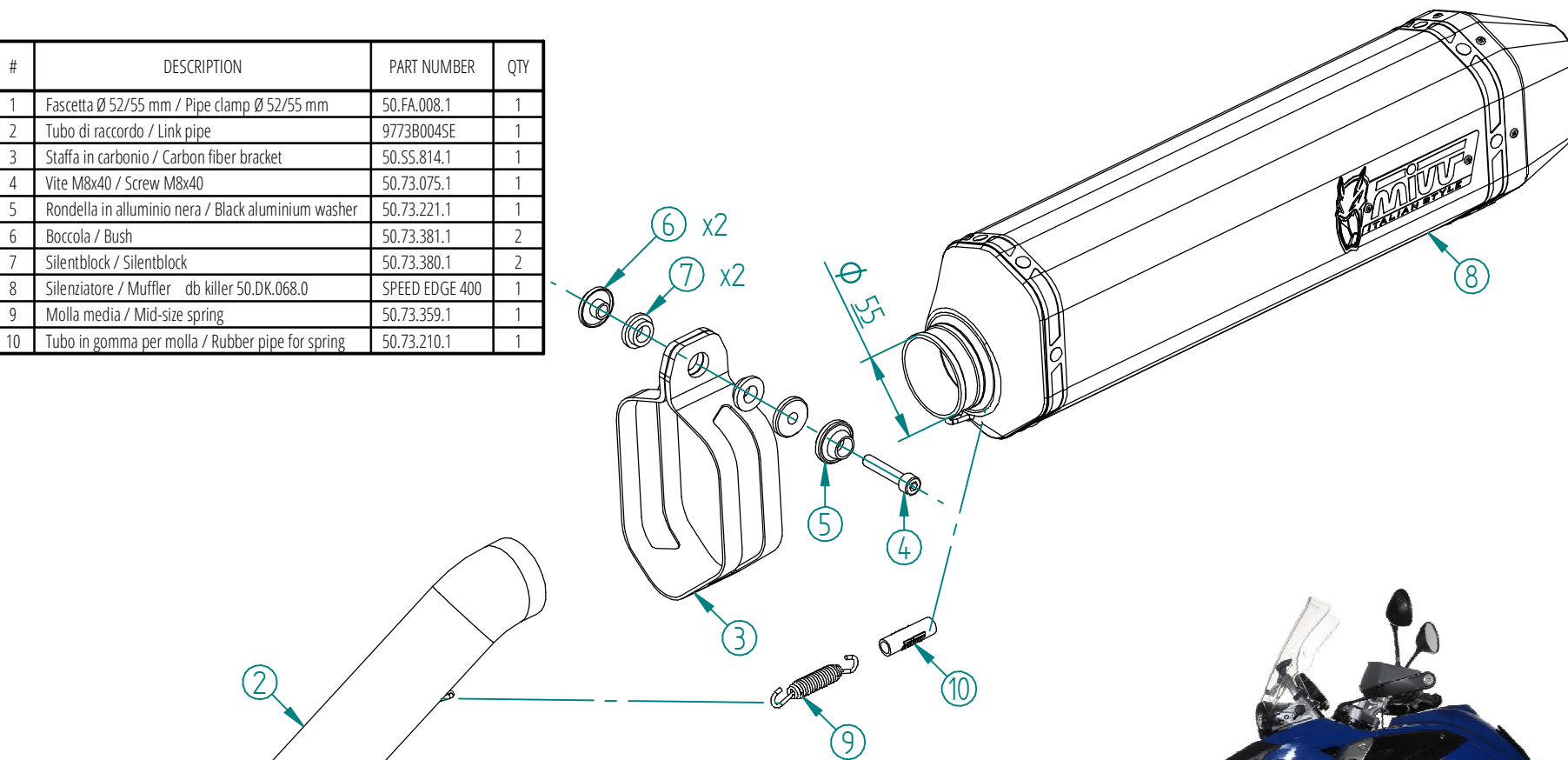


#	DESCRIPTION	PART NUMBER	QTY
1	Fascetta Ø 52/55 mm / Pipe clamp Ø 52/55 mm	50.FA.008.1	1
2	Tubo di raccordo / Link pipe	9773B004SE	1
3	Staffa in carbonio / Carbon fiber bracket	50.SS.814.1	1
4	Vite M8x40 / Screw M8x40	50.73.075.1	1
5	Rondella in alluminio nera / Black aluminium washer	50.73.221.1	1
6	Boccola / Bush	50.73.381.1	2
7	Silentblock / Silentblock	50.73.380.1	2
8	Silenziatore / Muffler db killer 50.DK.068.0	SPEED EDGE 400	1
9	Molla media / Mid-size spring	50.73.359.1	1
10	Tubo in gomma per molla / Rubber pipe for spring	50.73.210.1	1



OPTIONAL PART
TUBO NO KAT / NO KAT PIPE
00.73.B.002.C1



APPLICAZIONI / APPLICATIONS			
Codice / Code	Silenziatore / Muffler	Tubo / Pipe	Fascetta / Bracket
B.004.LRX	INOX (COPPA CARBONIO) / ST. STEEL (CARBON CAP)	INOX / ST. STEEL	CARBONIO / CARBON FIBER
B.004.LRB	STEEL BLACK		