



**MODEL** APRILIA RSV4  
APRILIA TUONO V4  
**LINE** SLIP ON

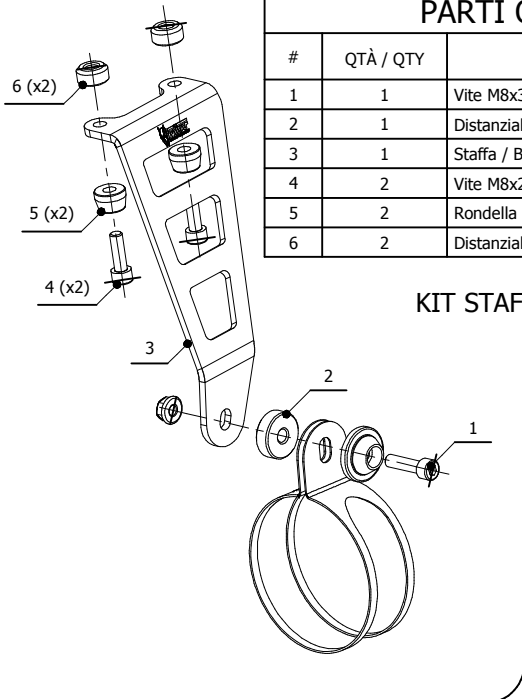
**YEAR** 2009 - 2016  
2010 - 2016  
**MUFFLER** GP

**SCHEMATIC**

**PARTI OPZIONALI / OPTIONAL PARTS**

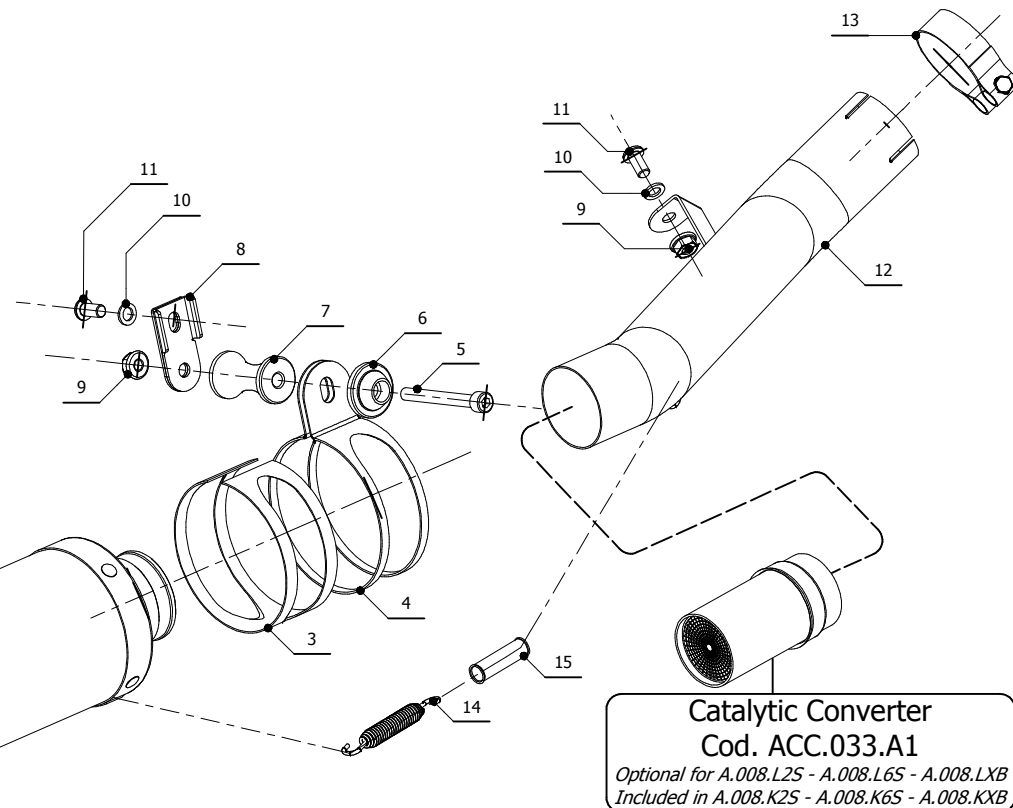
#	QTÀ / QTY	DESCRIZIONE / DESCRIPTION	CODICE / CODE
1	1	Vite M8x30 / Screw M8x30	50.73.219.1
2	1	Distanziale in alluminio / Aluminium spacer (Øe.30 Øi.8,5 h.10)	50.SS.645.1
3	1	Staffa / Bracket	50.SS.623.0
4	2	Vite M8x25 / Screw M8x25	50.73.064.1
5	2	Rondella in alluminio / Aluminium washer	50.73.248.1
6	2	Distanziale in alluminio / Aluminium spacer (Øe.20 Øi.8,5 h.10)	50.SS.070.1

**KIT STAFFA MONOPOSTO / SINGLE SEAT HOLDER KIT**  
**COD. 00.73.ACC.020.S2**



**APPLICAZIONI / APPLICATIONS**

CODICE / CODE	MUFFLER / SILENZIATOR	TUBO / PIPE	FASCETTA / CLAMP	NOTE
A.008.L2S A.008.L6S A.008.LXB	CARBONIO / CARBON FIBER TITANIO / TITANIUM STEEL BLACK	INOX / ST. STEEL	INOX / ST. STEEL	CATALYTIC CONVERTER NOT INCLUDED
A.008.K2S A.008.K6S A.008.KXB	CARBONIO / CARBON FIBER TITANIO / TITANIUM STEEL BLACK	INOX / ST. STEEL	INOX / ST. STEEL	CATALYTIC CONVERTER INCLUDED



**Catalytic Converter**  
**Cod. ACC.033.A1**  
*Optional for A.008.L2S - A.008.L6S - A.008.LXB*  
*Included in A.008.K2S - A.008.K6S - A.008.KXB*

**ELENCO PARTI / PARTS LIST**

#	QTÀ / QTY	DESCRIZIONE / DESCRIPTION	CODICE / CODE
1	1	DB killer / DB killer	50.DK.020.0
2	1	Silenziatore / Muffler	GP
3	1	Protezione in gomma per staffa / Rubber protection for bracket	50.73.040.1
4	1	Staffa / Bracket	50.SS.001.0
5	1	Vite M8x70 / Screw M8x70	50.73.086.1
6	1	Rondella in alluminio / Aluminium washer	50.73.063.1
7	1	Distanziale in alluminio / Aluminium spacer	50.SS.150.1
8	1	Staffa / Bracket	50.SS.581.0
9	2	Dado M8 flangiato / Flanged nut M8	50.73.052.1
10	2	Rondella M8 / Washer M8	50.73.270.1
11	2	Vite M8 x 16 / Screw M8 x 16	50.73.098.1
12	1	Tubo di raccordo / Link pipe	9773A008S2
13	1	Fascetta Ø 56/59 mm / Pipe clamp Ø 56/59 mm	50.FA.009.1
14	1	Molla media / Middle spring	50.73.359.1
15	1	Tubo in gomma per molla / Rubber pipe for spring	50.73.210.1