



MODEL KTM 690 SM

YEAR 2007-->

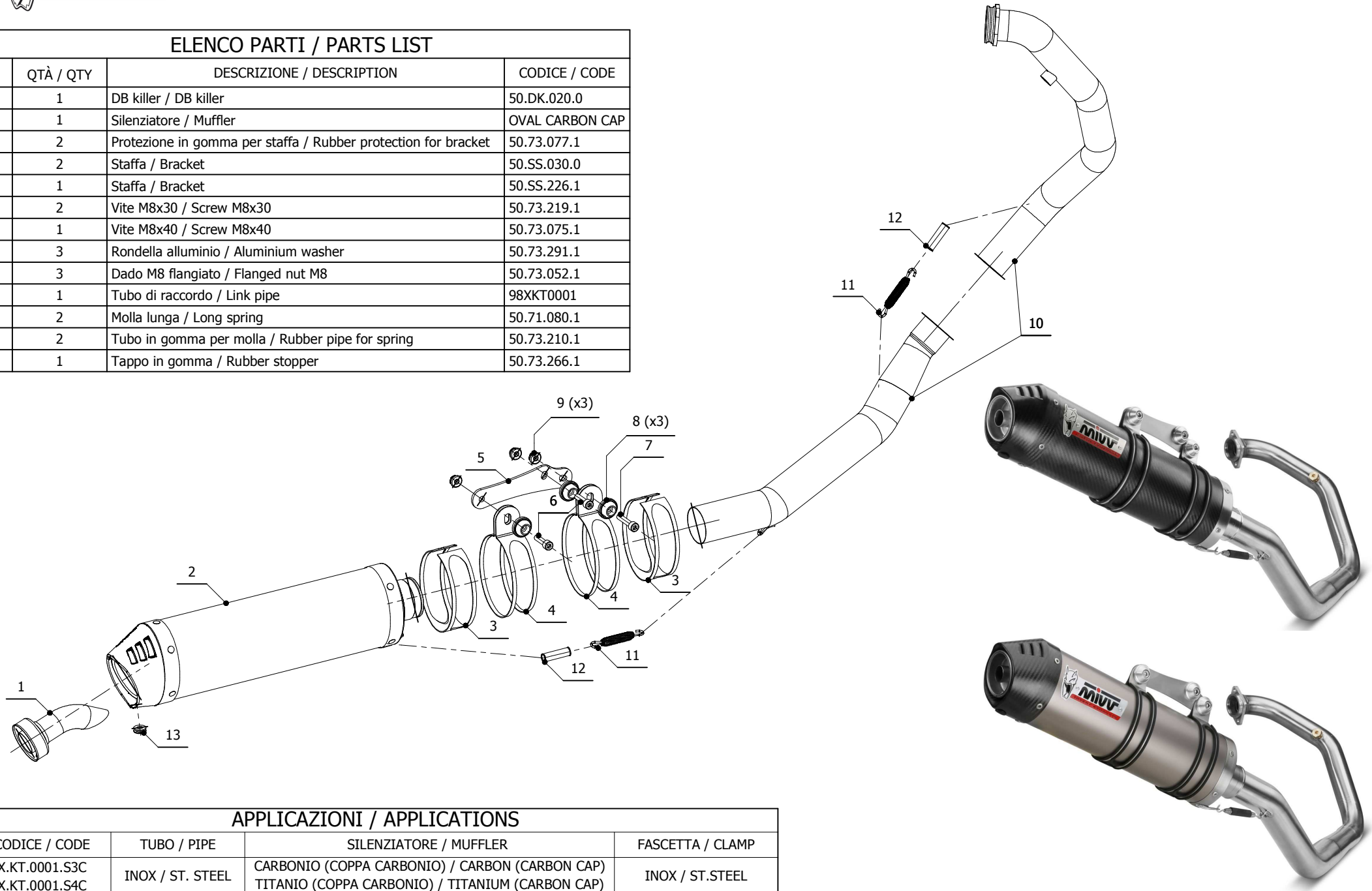
LINE FULL SYSTEM

MUFFLER OVAL CARBON CAP

SCHEMATIC

ELENCO PARTI / PARTS LIST

#	QTÀ / QTY	DESCRIZIONE / DESCRIPTION	CODICE / CODE
1	1	DB killer / DB killer	50.DK.020.0
2	1	Silenziatore / Muffler	OVAL CARBON CAP
3	2	Protezione in gomma per staffa / Rubber protection for bracket	50.73.077.1
4	2	Staffa / Bracket	50.SS.030.0
5	1	Staffa / Bracket	50.SS.226.1
6	2	Vite M8x30 / Screw M8x30	50.73.219.1
7	1	Vite M8x40 / Screw M8x40	50.73.075.1
8	3	Rondella alluminio / Aluminium washer	50.73.291.1
9	3	Dado M8 flangiato / Flanged nut M8	50.73.052.1
10	1	Tubo di raccordo / Link pipe	98XKT0001
11	2	Molla lunga / Long spring	50.71.080.1
12	2	Tubo in gomma per molla / Rubber pipe for spring	50.73.210.1
13	1	Tappo in gomma / Rubber stopper	50.73.266.1



APPLICAZIONI / APPLICATIONS

CODICE / CODE	TUBO / PIPE	SILENZIATORE / MUFFLER	FASCETTA / CLAMP
X.KT.0001.S3C	INOX / ST. STEEL	CARBONIO (COPPA CARBONIO) / CARBON (CARBON CAP)	INOX / ST.STEEL
X.KT.0001.S4C		TITANIO (COPPA CARBONIO) / TITANIUM (CARBON CAP)	